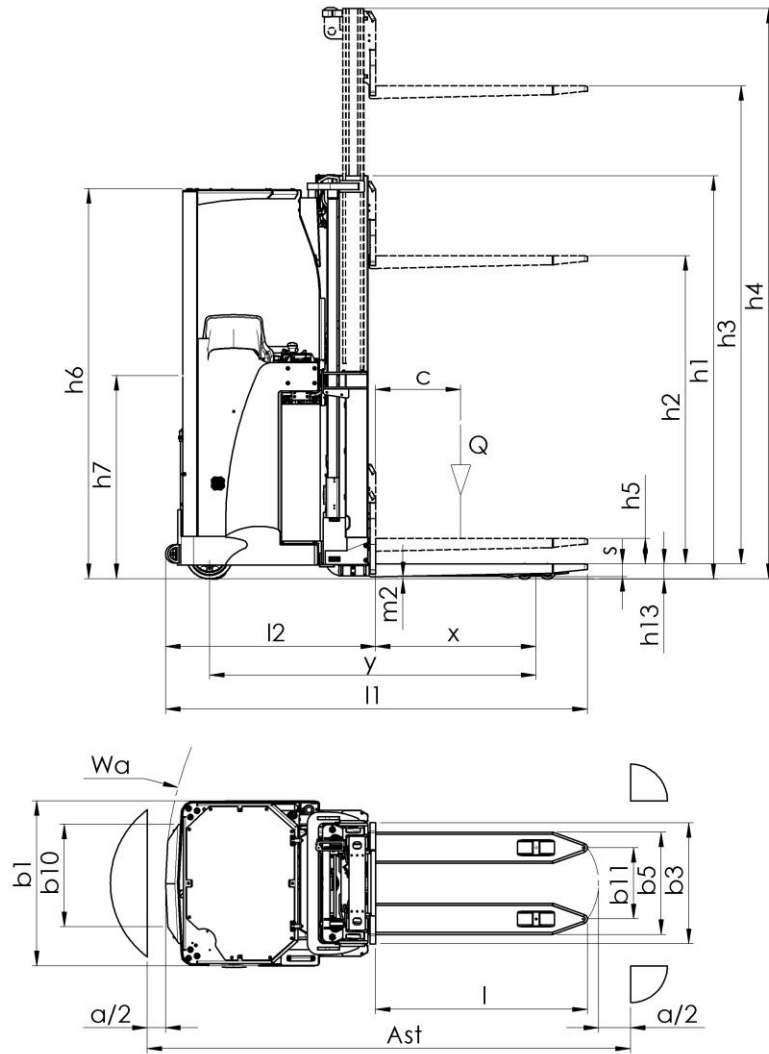


Technical data SW



Characteristics	1.1	Manufacturer		Actil	Actil	Actil	Actil	Actil	Actil	Actil	Actil	Actil	Actil	Actil	
	1.2	Model designation		SW-N 13	SW-N 13 I	SW-N 16	SW-N 16 I	SW 13	SW 13 I	SW 16	SW 16 I	SW-W 13	SW-W 13 I	SW-W 16	SW-W 16 I
	1.3	Power unit		Battery	Battery	Battery	Battery	Battery	Battery	Battery	Battery	Battery	Battery	Battery	Battery
	1.4	Operation		Seated	Seated	Seated	Seated	Seated	Seated	Seated	Seated	Seated	Seated	Seated	Seated
	1.5	Load capacity	Q (t)	1,35	1,35	1,6	1,6	1,35	1,35	1,6	1,6	1,35	1,35	1,6	1,6
	1.6	Load center	c (mm)	600	600	600	600	600	600	600	600	600	600	600	600
	1.8	Axle centre to fork face	x (mm)	622	870	622	870	622	870	622	870	622	870	622	870
	1.9	Wheelbase	y (mm)	1490	1771	1512	1771	1490	1771	1512	1771	1490	1771	1512	1771
	2.1	Service weight	(kg)	1497	1591	1579	1642	1530	1624	1612	1675	1546	1640	1630	1690
Weights	2.2	Axle load with load, drive side/load side	(kg)	996/1851	1323/1618	1049/2130	1361/1881	1037/1843	1338/1636	1092/2120	1361/1881	1043/1853	1345/1645	1098/2132	1381/1909
	2.3	Axle load without load, drive side/load side	(kg)	988/507	1082/509	1011/568	1117/525	995/535	1121/503	1032/580	1139/536	1005/541	1099/541	1043/587	1150/540
Wheels/tyres	3.1	Tyres		Tractothan	Tractothan	Tractothan	Tractothan	Tractothan	Tractothan	Tractothan	Tractothan	Tractothan	Tractothan	Tractothan	Tractothan
	3.2	Tyre size, drive side		Ø255x115	Ø255x115	Ø255x115	Ø255x115	Ø255x115	Ø255x115	Ø255x115	Ø255x115	Ø255x115	Ø255x115	Ø255x115	Ø255x115
	3.3	Tyre size, load side		4xØ85x74	4xØ85x74	4xØ85x74	4xØ85x74	4xØ85x74	4xØ85x74	4xØ85x74	4xØ85x74	4xØ85x74	4xØ85x74	4xØ85x74	4xØ85x74
	3.5	Wheels, number drive side/load side (x=driven wheels)		1x+2/4	1x+2/4	1x+2/4	1x+2/4	1x+2/4	1x+2/4	1x+2/4	1x+2/4	1x+2/4	1x+2/4	1x+2/4	1x+2/4
	3.6	Track width, drive side	b10 (mm)	622	622	622	622	722	722	722	722	822	822	822	822
	3.7	Track width, load side	b11 (mm)	387	387	387	387	387	387	387	387	387	387	387	387
Dimensions	4.2	Height of mast, lowered	h1 (mm)	2190	2210	2190	2210	2190	2210	2190	2210	2190	2210	2190	2210
	4.3	Free lift	h2 (mm)	1686	1686	1686	1686	1686	1686	1686	1686	1686	1686	1686	1686
	4.4	Lift	h3 (mm)	4826	4826	4826	4826	4826	4826	4826	4826	4826	4826	4826	4826
	4.5	Height of mast, extended	h4 (mm)	5330	5350	5330	5350	5330	5350	5330	5350	5330	5350	5330	5350
	4.6	Initial lift	h5 (mm)	-	120	-	120	-	120	-	120	-	120	-	120
	4.7	Height of cabin	h6 (mm)	2120	2120	2120	2120	2120	2120	2120	2120	2120	2120	2120	2120
	4.8	Seat height	h7 (mm)	1000	1000	1000	1000	1000	1000	1000	1000	1000	1000	1000	1000
	4.15	Fork height, lowered	h13 (mm)	87	90	87	90	87	90	87	90	87	90	87	90
	4.19	Overall length	l1 (mm)	2242	2288	2263	2288	2242	2288	2263	2288	2242	2288	2263	2288
	4.20	Length to fork face	l2 (mm)	1092	1138	1113	1138	1092	1138	1113	1138	1092	1138	1113	1138
	4.21	Overall width	b1 (mm)	800	800	800	800	900	900	900	900	1000	1000	1000	1000
	4.22	Fork dimensions	s/e/l (mm)	70/170/1150	70/170/1150	70/170/1150	70/170/1150	70/170/1150	70/170/1150	70/170/1150	70/170/1150	70/170/1150	70/170/1150	70/170/1150	70/170/1150
	4.25	Width across forks	b5 (mm)	557	557	557	557	557	557	557	557	557	557	557	557
	4.32	Ground clearance, centre of wheelbase min/max	m2 (mm)	25/25	25/140	25/25	25/140	25/25	25/140	25/25	25/140	25/25	25/140	25/25	25/140
	4.34	Aisle width with pallet 800x1200 crossways/lengthways	Ast (mm)	/2617	2841/2723	-/2638	2841/2723	-/2622	2845/2727	-/2643	2845/2727	-/2629	2850/2732	-/2649	2850/2732
4.35	Turning radius	Wa (mm)	1714	2004	1735	2004	1719	2008	1740	2008	1726	2013	1746	2013	
4.39	Aisle width without pallet	Ast (mm)	2477	2545	2497	2545	2482	2548	2502	2548	2488	2553	2509	2553	
Performance	5.1	Travel speed, with/without load	(km/h)	6/12	6/12	6/12	6/12	6/12	6/12	6/12	6/12	6/12	6/12	6/12	6/12
	5.2	Lifting speed, with/without load	(m/s)	0,21/0,43	0,21/0,43	0,17/0,43	0,17/0,43	0,21/0,43	0,21/0,43	0,17/0,43	0,17/0,43	0,21/0,43	0,21/0,43	0,17/0,43	0,17/0,43
	5.3	Lowering speed, with/without load	(m/s)	0,44/0,32	0,44/0,32	0,44/0,32	0,44/0,32	0,44/0,32	0,44/0,32	0,44/0,32	0,44/0,32	0,44/0,32	0,44/0,32	0,44/0,32	0,44/0,32
	5.7	Maximum climbing ability, with/without load	(%)	8/15	8/15	8/15	8/15	8/15	8/15	8/15	8/15	8/15	8/15	8/15	8/15
	5.10	Service brake		Electric	Electric	Electric	Electric	Electric	Electric	Electric	Electric	Electric	Electric	Electric	Electric
Drive	6.1	Drive motor S2 60 minute rating AC	(kW)	3	3	3	3	3	3	3	3	3	3	3	
	6.2	Lift motor rating at S3 15% AC	(kW)	5.7	5.7	5.7	5.7	5.7	5.7	5.7	5.7	5.7	5.7	5.7	
	6.4	Battery voltage/rated capacity (5h)	(V/Ah)	24/465	24/465	24/465	24/465	24/465	24/465	24/465	24/465	24/465	24/465	24/465	
	6.5	Battery weight (±5%)	(kg)	370	370	370	370	370	370	370	370	370	370	370	
Other	8.1	Type of drive control		Electronic	Electronic	Electronic	Electronic	Electronic	Electronic	Electronic	Electronic	Electronic	Electronic	Electronic	
	8.4	Noise level at operator's ear	(dB(A))	<70	<70	<70	<70	<70	<70	<70	<70	<70	<70	<70	<70

Alternative mast types, tyres, equipment, etc. could result in different values. See mast and equipment list.

All technical data according to VDI. 2198.

Performance and dimensions are displayed with reservation for tolerance